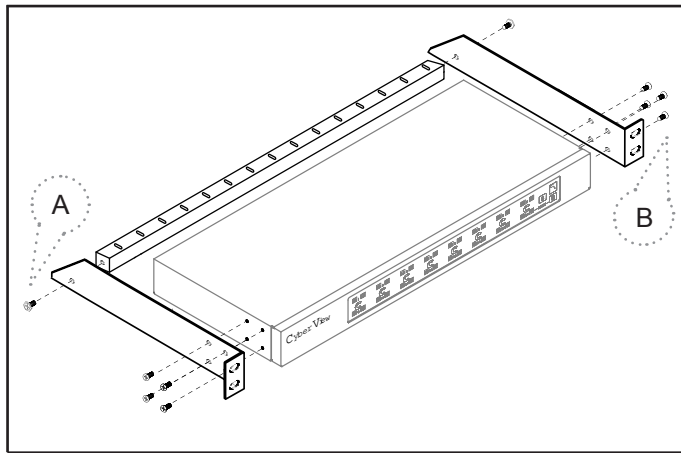


CV-802 / CV-1602 Two Console DB-15 KVM

Installation



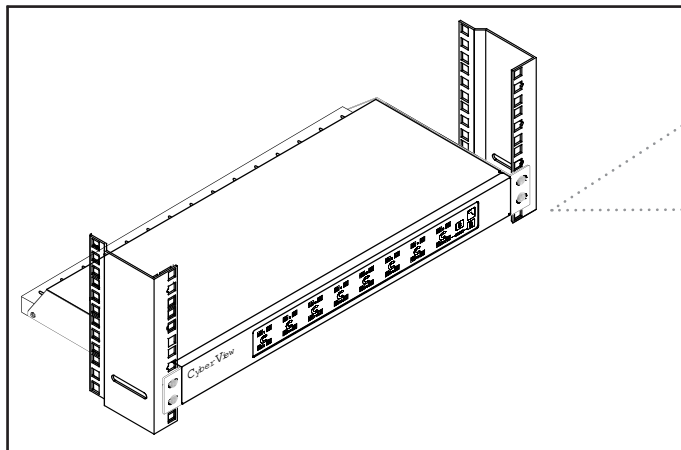
screw A: M3.2 x 4.5 mm



screw B: M4 x 10 mm

- Install each bracket using screws provided shown in **Figure 1**.

Figure 1. Installing the bracket to the KVM.



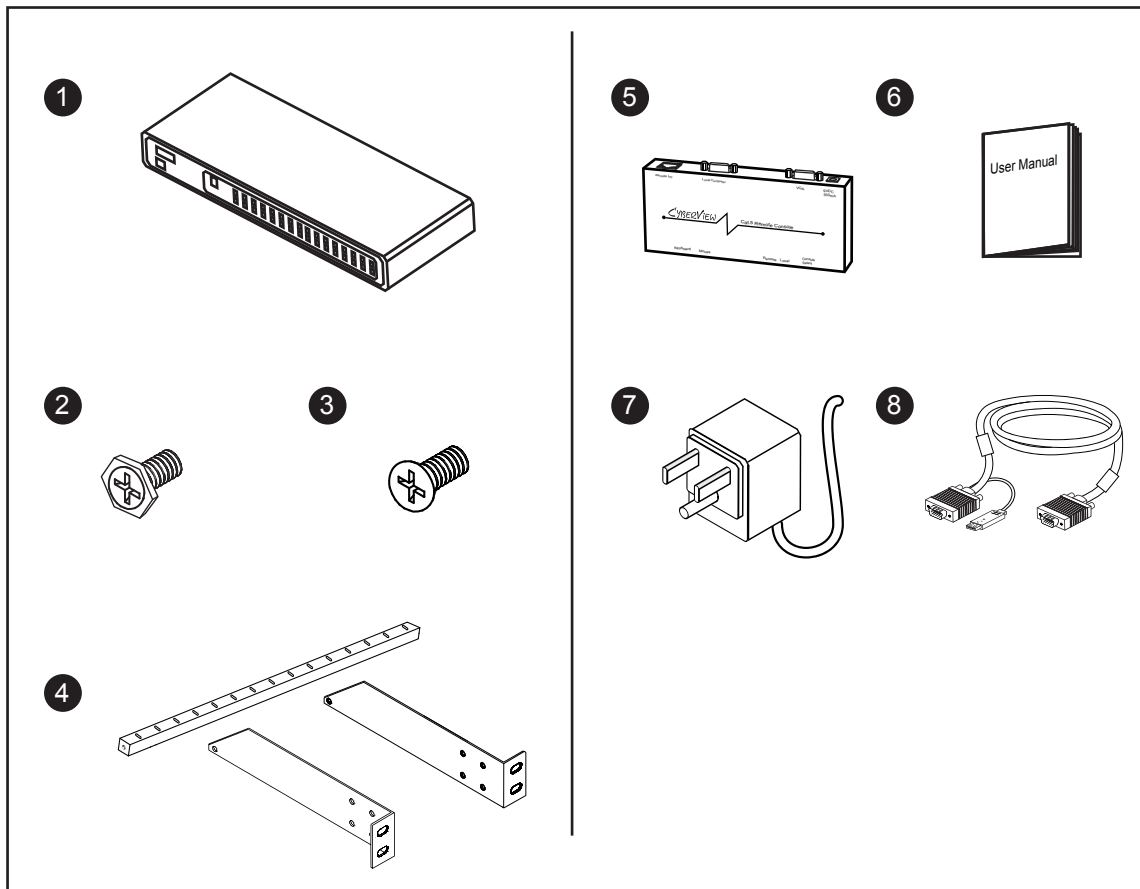
- Fix the KVM into the rack

* Hardware for fixing the mounting bracket to the rack is not provided

Figure 2. Fixing the KVM into the rack.

CV-802 / CV-1602 Two Console DB-15 KVM

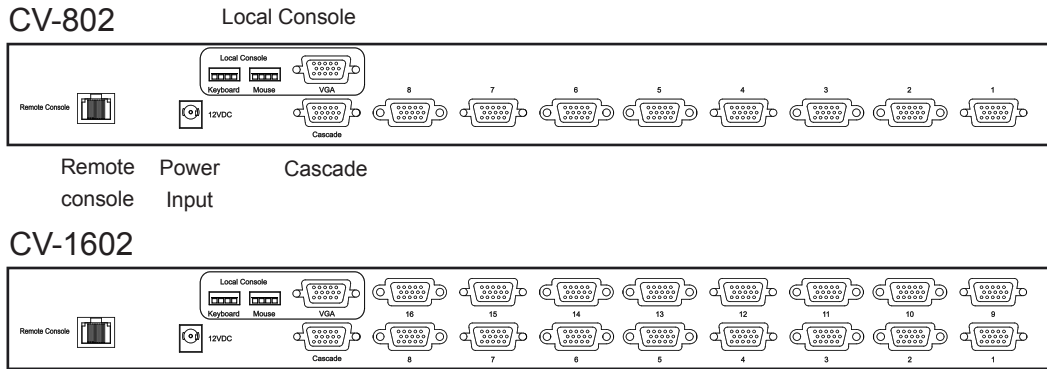
Package Content (only for rackmount KVM)



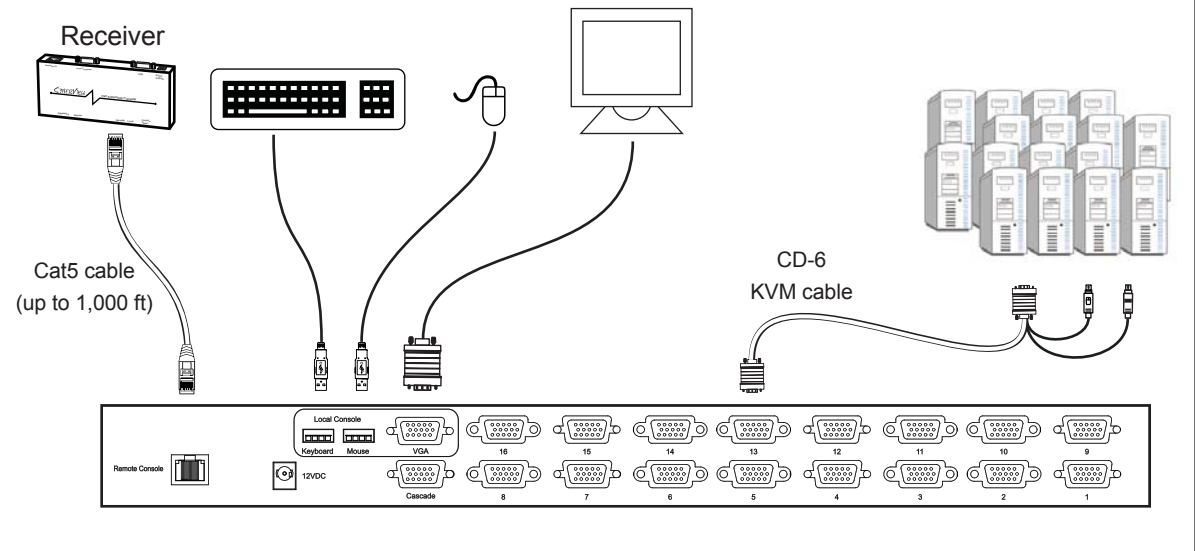
- ① KVM switch x 1 pc
- ② Screw M3.2 x 4.5mm x 4 pcs
- ③ Screw M4 x 10mm x 8 pcs
- ④ Bracket x 1 set
- ⑤ Receiver x 1 pc
- ⑥ User manual x 1 pc
- ⑦ Power adapter x 2 pcs (12V DC for KVM switch ; 9V DC for receiver)
- ⑧ CB-6 2-in-1 USB KVM cable (for receiver) x 1 pc

CV-802 / CV-1602 Two Console DB-15 KVM

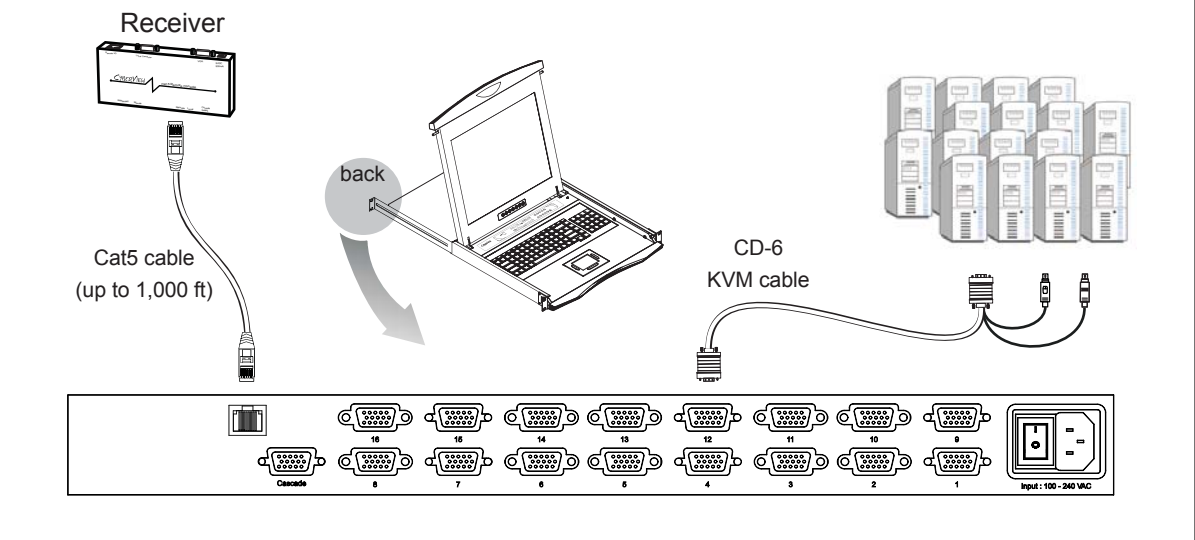
Connection



Connection Rackmount KVM

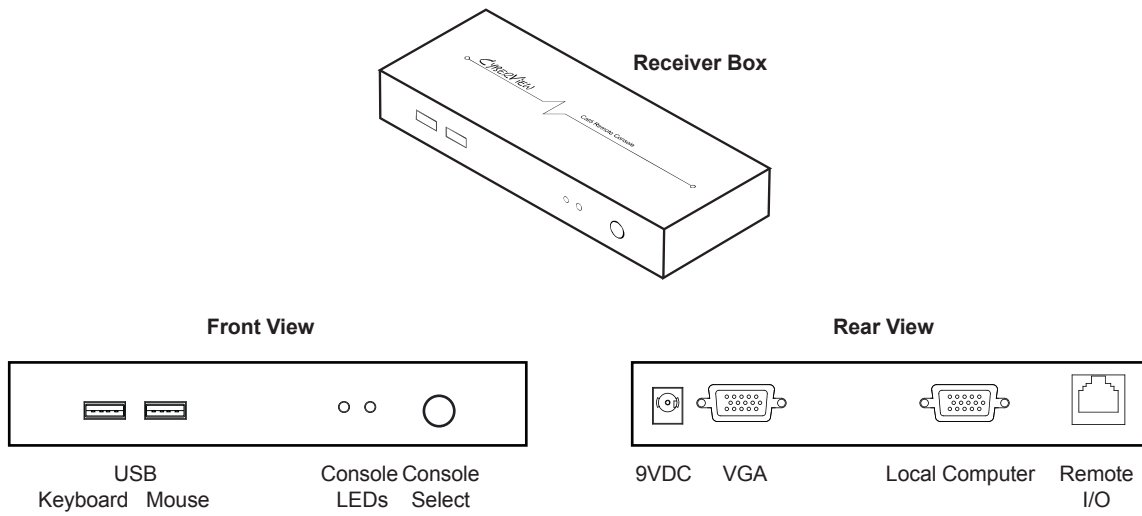


Connection KVM modules

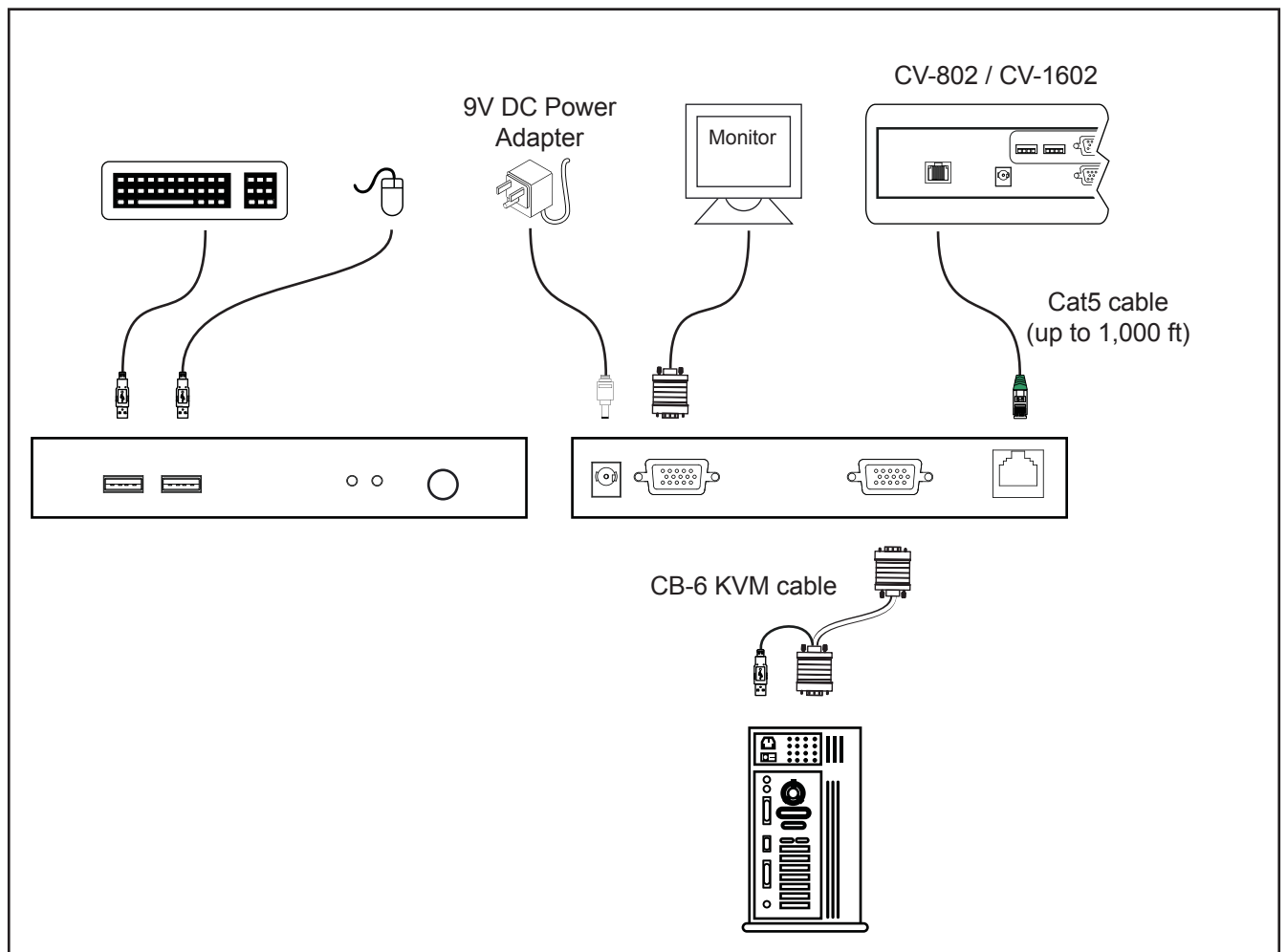


CV-802 / CV-1602 Two Console DB-15 KVM

Receiver



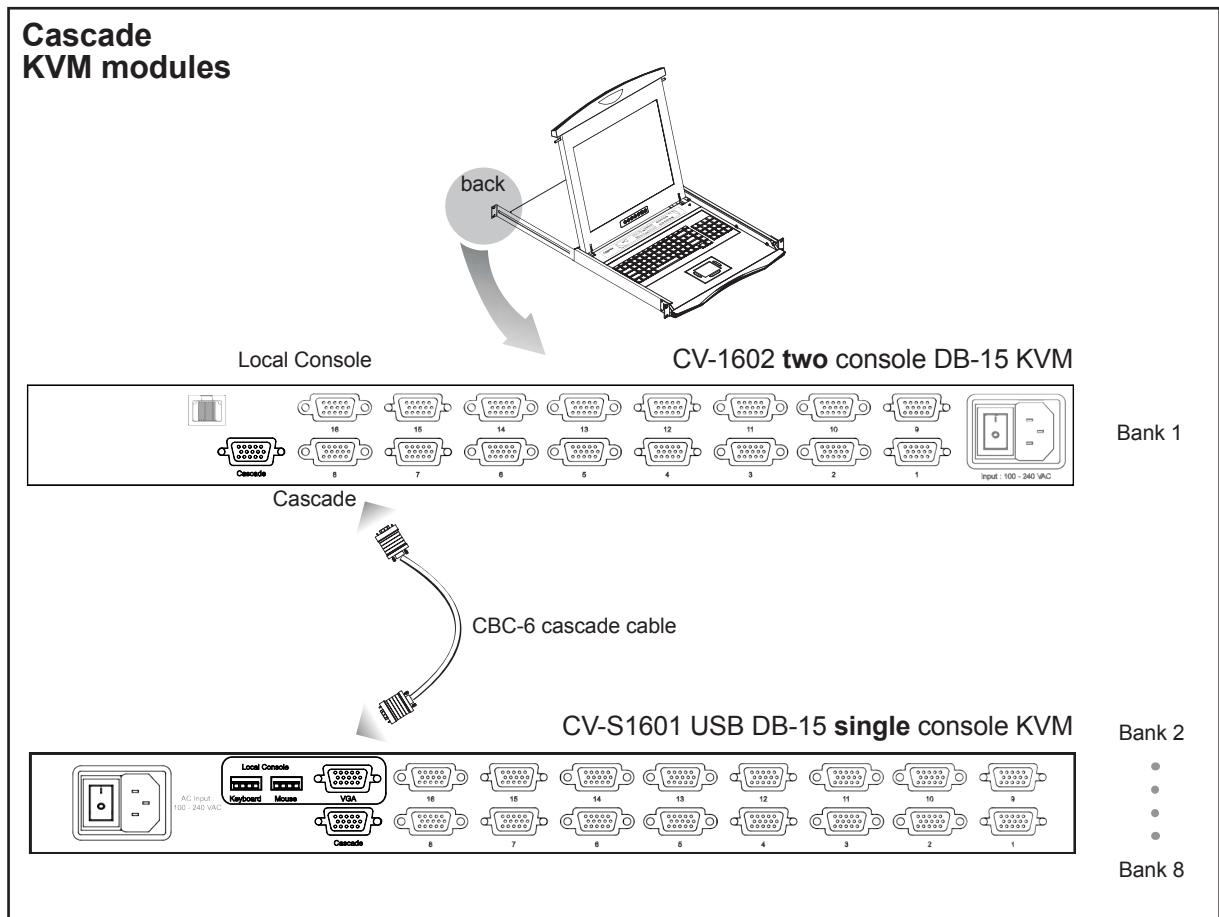
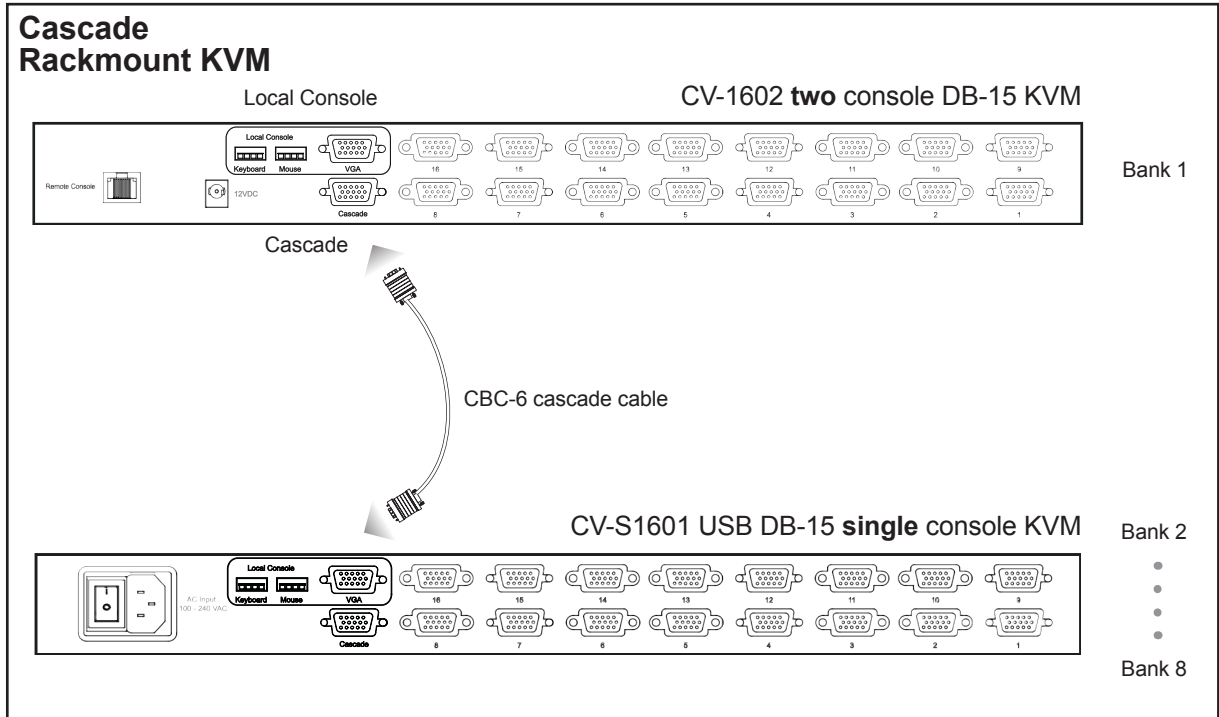
Receiver Connection



CV-802 / CV-1602 Two Console DB-15 KVM

Cascade

- Cascaded KVM (Bank 2 to 8) must be single console USB KVM - CV-S801 / CV-S1601
- With the CV-802 cascade up to 120 servers. With the CV-1602 cascade up to 128 servers.
- Cascading multiple KVM by CBC-6 cable



KVM Membranes

Power ON

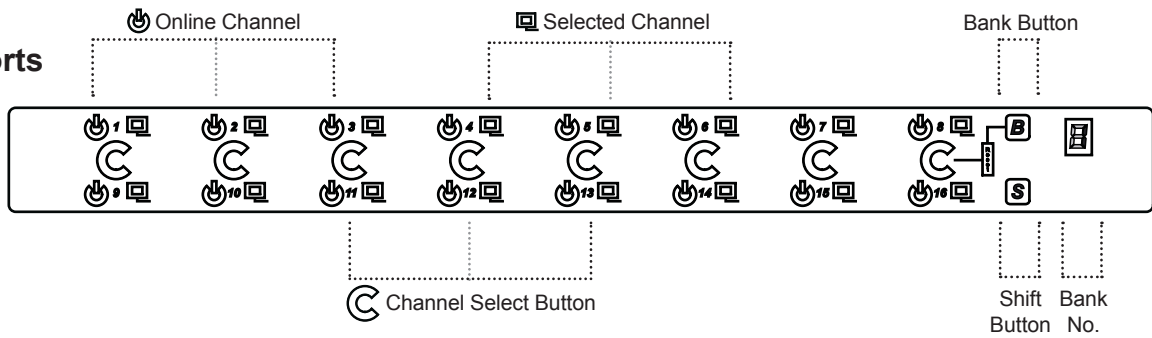
- Turn off all servers and KVM switches
- Make sure all cables / connectors are properly connected
- Recommend Power ON sequence is monitor, KVM switch finally computer

Front Panel - Port LED Indications

8 ports



16 ports



| | |
|-----------------------|--|
| Online Channel | Green LED on indicating a PC is connecting to the port |
| Selected Channel | RED LED on indicating a selected channel |
| Bank Button | Select the bank from 1 to 8 |
| Channel Select Button | Press to select channel from 1 to 8 |
| Shift Button | Press & hold follow with a channel button to select channel from 9 to 16 |
| Bank No. | 7-Segment BANK LED indication |

Password

Password for CV-802 / CV-1602

The password is disabled by default (i.e. There is no password required when you power on the KVM switch for the first time)

■ Enable password

1. Press the KVM hotkey **Scroll Lock + Scroll Lock + U**
2. Logout the KVM by pressing the hotkey **Scroll Lock + Scroll Lock + P**
3. In SUPERVISOR level, enter "00000000" eight zeros in user name & password field
(Do not use "0" on number pad)
4. In USER level, press **Space bar + Enter** in user name & password field

Remark: Automatic logout after 10 minutes of inactivity

■ Set your own user name & password

1. Login the KVM in SUPERVISOR level by pressing "00000000" eight zeros in user name & password field
2. Call KVM OSD menu by pressing the KVM hotkey **Scroll Lock + Scroll Lock + Space Bar**
3. Press **F1** to the MAIN MENU
4. Select "USER SECURITY"
5. Set password in SUPERVISOR & USER level
 - a. In the left-top row "S" (SUPERVISOR), press **Enter** to set your own user name & password
 - b. In the row 1 to 8 (USER), press **Enter** to set your own user name & password
6. Press **Enter** to save the setting or press **Esc** to cancel the editing without any change

Remark: a. Blank has underscore. SPACE does not have underscore.

- b. Press any alphanumeric key to move to next input item. SPACE is treated as a valid character

■ Change your password

1. Login the KVM in SUPERVISOR level by pressing your own user name & password
2. Call KVM OSD menu by pressing the KVM hotkey **Scroll Lock + Scroll Lock + Space Bar**
3. Press **F1** to the MAIN MENU
4. Select "USER SECURITY"
5. Change password in SUPERVISOR & USER level
 - a. In the left-top row "S" (SUPERVISOR), press **Enter** to change your user name & password
 - b. In the row 1 to 8 (USER), press **Enter** to change your user name & password
6. Press **Enter** to save the setting or press **Esc** to cancel the editing without any change

Remark: a. Blank has underscore. SPACE does not have underscore.

- b. Press any alphanumeric key to move to next input item. SPACE is treated as a valid character

■ Disable your password

1. Press the KVM hotkey **Scroll Lock + Scroll Lock + U**
2. Logout the KVM by pressing the KVM hotkey **Scroll Lock + Scroll Lock + P**
3. You don't need user name & password to access the KVM OSD menu

■ Forget your password


Please contact your supplier for further support

Remark:



- You must press the KVM hotkey within 2 seconds
- A beep sound will be heard for successful entering KVM hotkey

KVM OSD


OSD Menu

| PORT NAME | | |
|-----------|---|------------------|
| BANK : 1 | | F1 : MENU |
| 01☀ | SYSTEM 01  | F2 : LOGOUT |
| 02☀ | SYSTEM 02 | F3 : PREV |
| 03☀ | SYSTEM 03 | ESC : QUIT |
| 04☀ | SYSTEM 04 | ENTER : COMPLETE |
| 05☀ | SYSTEM 05 | ↑/↓ : SELECT |
| 06☀ | SYSTEM 06 | PgUp/PgDn : |
| 07☀ | SYSTEM 07 | BANK SELECT |
| 08☀ | SYSTEM 08 | |
| | | USER : |
| | | SUPERVISOR |
| | | SCAN TIME : |
| | | 10 SEC FW1V3 |

OSD operation

| | | |
|---|-------------------------|---|
|  | next to the system name | The PC is powered on |
|  | next to the system name | The PC is selected |
| F1 | | Access F1 MAIN MENU |
| F2 | | Logout the OSD menu |
| F3 | | Previous menu |
| Esc | | Cancel / Quit |
| Enter | | Complete / Switch to selected port |
| ↑/↓ | | Switch to previous or next port |
| PgUp/PgDn | | Switch to previous bank or next bank |
| 1 / 2 / 3 / 4 | | Display port 01 ~ 08 / 09 ~ 16 / 17 ~ 24 / 25 ~ 32 Remark: Display port 17 ~ 32 for 32 port model only |

F1 Main Menu

| MAIN MENU  X | |
|---|----------------|
| SELECT OPTION : | |
| 01 | LANGUAGE |
| 02 | PORT NAME EDIT |
| 03 | PORT SEARCH |
| 04 | USER SECURITY |
| 05 | ACCESS LIST |
| 06 | HOTKEY |
| 07 | TIME SETTINGS |
| 08 | OSD MOUSE |

| | | |
|----|----------------|-----------------------------------|
| 01 | LANGUAGE | OSD language change |
| 02 | PORT NAME EDIT | Define port name |
| 03 | PORT SEARCH | Quick searching by port name |
| 04 | USER SECURITY | Change password |
| 05 | ACCESS LIST | Define user access authority |
| 06 | HOTKEY | Change hotkey |
| 07 | TIME SETTINGS | Modify scan display time interval |
| 08 | OSD MOUSE | Modify OSD mouse speed |

KVM Hotkey

Local Console Hotkey for CV-802 / CV-1602

| Hotkey | Function |
|--|---|
| Scroll Lock + Scroll Lock + Space Bar | Calling OSD menu |
| Right-button mouse + Esc | Calling OSD menu |
| Scroll Lock + Scroll Lock + ↑ | Switch to previous port |
| Scroll Lock + Scroll Lock + ↓ | Switch to next port |
| Scroll Lock + Scroll Lock + PgUp / PgDn | Switch to previous bank or next bank |
| Scroll Lock + Scroll Lock + Bank no. + Port no. | Switch to specific port |
| Scroll Lock + Scroll Lock + B | Turn the buzzer ON and OFF * Default the buzzer is ON |
| Scroll Lock + Scroll Lock + P | Logout the KVM if password security is ON. Show up the status windows |

Advance hotkeys (for Supervisor login only)

| | |
|--------------------------------------|--|
| Scroll Lock + Scroll Lock + S | Activate auto-scan mode for connected servers *Press any key to exit the auto-scan mode |
| Scroll Lock + Scroll Lock + R | Reset all the KVM settings to factory default *Except User Security settings |
| Scroll Lock + Scroll Lock + U | Disable and enable password security *Default security is OFF |

Remarks:

- Example of “**Scroll Lock + Scroll Lock + Bank no. + Port no.**”
 - Bank No. : 1 to 8
 - Port No. : 01 to 16
 - e.g. Bank 1 Port 4 : **Scroll Lock + Scroll Lock + 1 + 0 + 4**
 - e.g. Bank 2 Port 16 : **Scroll Lock + Scroll Lock + 2 + 1 + 6**
- You must press the hotkey within 2 seconds
- A beep sound will be heard for successful entering
- The numeric keypad is not supported, while in OSD screen, the arrow keys, PgUp, PgDn, and Enter keys are supports

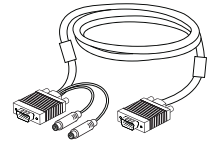
Remote Console Hotkey for CV-802 / CV-1602

| Hotkey | Function |
|-----------------------------------|---|
| Caps Lock + Caps Lock + F1 | Show up the Help OSD windows |
| Caps Lock + Caps Lock + F2 | Select Hotkey *Default is Caps Lock |
| Caps Lock + Caps Lock + C | Toggle switch between remote & local port |
| Caps Lock + Caps Lock + Q | Turn thr buzzer ON & OFF *Default the buzzer is ON |
| Caps Lock + Caps Lock + S | Activate auto-scan mode for remote & local port *The scan time interval is 5 seconds |
| Caps Lock + Caps Lock + A | Auto-adjust the video signal |

Optional Accessories

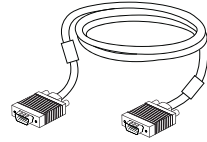
1. PS/2 3-in-1 KVM cable

- 1.1 CD-6 6 feet
- 1.2 CD-10 10 feet
- 1.3 CD-15 15 feet
- 1.4 CD-33 33 feet



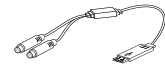
2. USB KVM cascade cable

- 2.1 CBC-6 6 feet



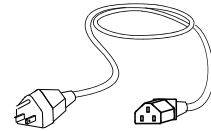
3. SUN / iMAC USB to PS/2 adapter

- 3.1 SUN-31 kit

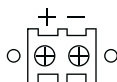


5. Power cord

- 4.1 IEC power cord
- 4.2 NEMA 5-15 power cord (US)
- 4.3 BS 1363 power cord (UK)
- 4.4 CEE 7/4 power cord (German)
- 4.5 AS 3112 power cord (Australia)



DC Power 12V, 24V, 48V Input




| Model | 12V | 24V | 48V |
|----------------------|---------|----------|----------|
| Input rating | | | |
| Input voltage: | 12-Volt | 24-Volt | 48-Volt |
| Input range: | 9 ~ 18V | 18 ~ 36V | 36 ~ 75V |
| Input current | | | |
| - No load | 50 mA | 50 mA | 50 mA |
| - Full load | 4950 mA | 2450 mA | 1220 mA |
| Output rating | | | |
| Output voltage: | 12-Volt | 12-Volt | 12-Volt |
| Output current: | 4.16A | 4.16A | 4.16A |
| Efficiency | 84% | 85% | 85% |

Remarks:

- Package does not include power cord

Specification

| CV-802 / CV-1602  | |
|---|---|
| ■ KVM Port | <p>Number of ports: 8 or 16</p> <p>Connector: HDDB 15-pin</p> <p>Connectivity: CD-6 / 10 / 15 / 33 6' / 10' / 15' / 33' 3-in-1 PS/2 KVM cable</p> |
| ■ Local Console | <p>Graphic connector: HDDB15-pin VGA</p> <p>Resolution: Up to 1920 x 1440</p> <p>Input device: 2 x USB type A for keyboard & mouse</p> |
| ■ Remote Console | <p>Connector: HDDB 15-pin, VGA</p> <p>Resolution: Up to 1600 x 1200 (500 feet), Up to 1024 x 768 (1000 feet)</p> <p>Input device: 2 x USB type A for keyboard & mouse</p> <p>Remote I/O: RJ45 via Cat5 / Cat5e / Cat6 cable up to 1000 feet</p> <p>Compensation: Auto adjust for cable length</p> |
| ■ On Screen Display | <p>Port name: Up to 10 characters long</p> <p>Port select: Front membrane button, Hotkey & On screen menu</p> <p>Security: Support eight character password</p> <p>Auto scan: 5~99 seconds</p> |
| ■ Expansion: | Up to 128 servers by 8-level cascade |
| ■ Compatibility | <p>Multi-platform: Mix PCs, SUNs, IBMs, HPs, DELLs Server</p> <p>Support: Windows Vista / 2003 / XP / 2000, Linux, Netware, Unix, DOS</p> |
| ■ Power | <p>Input: 100 or 240V AC at 50 or 60 Hz via AC adapter</p> <p>Option DC: 12V / 24V / 48V DC input</p> |
| ■ Regulatory Approval: | FCC, CE |
| ■ Environmental | <p>Operating: 0 to 50°C</p> <p>Storage: -5 to 60°C</p> <p>Relative humidity: 90%, non-condensing</p> <p>Shock: 50G peak acceleration (11ms, half-sine wave)</p> <p>Vibration: 58~100Hz / 0.98G (11ms / cycle)</p> |
| ■ Product Information | <p>Dimension (W x D x H): 443 x 180 x 44 mm / 17.3 x 7.1 x 1.73 inch</p> <p>Net weight: CV-802 / CV-1602 : 4 kg / 9 lb</p> |
| ■ Packing Information | <p>Dimension (W x D x H): 510 x 400 x 77 mm / 20.1 x 15.7 x 3 inch</p> <p>Gross weight: CV-802 / CV-1602 : 4.5 kg / 10 lb</p> |

FAQ

General

- 1. How do the KVM switches allow the user to switch ports?**
There are two ways to switch ports. One is the membrane buttons on the front and the other way is with Hot-key commands.
- 2. What operating systems do the KVMs support?**
The KVMs support multi-platform support allows you to control Windows-based computers, Sun Solaris systems, Linux, or even Macs by a single KVM switch. The KVM switches support multi-platform operating systems including but not limited to DOS, Windows 95/98/ME/NT/2000/XP, Linux, Solaris and Mac OS.
- 3. Do I have to power down the KVMs to add a new server ?**
The KVMs are hot-pluggable and allows servers or devices to be added or removed without powering down the switch, but components of connected devices, such as the servers, may not be hot-pluggable. We suggest that turn off power to all devices before connecting them.
- 4. Why I can't login with default password on KVM switch**
The default username and password for the KVM switch is eight zeros - "00000000". Please check

 - i. The "Num lock" is not turned on. (for notebook type keyboard)
 - ii. The numeric (number) keys on the number pad are not accepted by KVM, only the main number keys.
- 5. Can I disable the KVM password ?**
Yes, for Cat5 KVM, USB KVM, two console PS/2 KVM & IP PS/2 KVM, user can disable/ enable the KVM password by hotkey.
No, for PS/2 KVM, user can't disable the KVM password.
- 6. What do I do if I forget the password?**
If the user change the default password and lose the password, pls contact the supplier for further support.
- 7. How many levels of KVM cascade are supported?**
8 levels are supported.
- 8. Can I cascade the different types KVM switches together ?**
No, only same type KVM can cascade together. (e.g. PS/2 to PS/2, USB to USB,..)
- 9. Why am I getting ghosting images or shadowing?**

 - i. Check that all video cables are inserted properly.
 - ii. Check whether the KVM supports the resolution and refresh-rate on your servers.
 - iii. Check whether the graphics card you are using supports the resolution and refreshrate on your server or not.
 - iv. Connect the monitor directly into the servers you are having trouble with to see if problem still appears.

FAQ

10. **The server VGA resolution does not match the resolution of monitor ?**

The KVM supports DDC function which will dynamically detect and the DDC data.

The problem may come from the power on sequence.

- For KVM switch
The recommended power on sequence is - monitor, KVM switch and then servers.
- For remote console box
It supports DDC function but does not support hot-plug, the recommend power on sequence is – monitor, remote console box and then servers.

Two console KVM

What is the resolution support on remote console ?

The remote console can support up to 1,000 feet at 1024 x 768, and up to 500 feet at 1600 x 1200.

Why am I getting ghosting images or shadowing on remote console ?

Press “Scroll lock + Scroll lock + A” on the keyboard connected to remote console box to force auto-adjusting the video signal to optimize.

Troubleshooting

1. There is no LED display on KVM membrane switch

- i. Make sure the power adapter plugged into the KVM Switch, if the LED's still off, perform soft reset to KVM switch.
- ii. Power cycle KVM switch.

2. I can power on the KVM, but I am not getting any picture at all, how can I solve this?

Switching to another port and checking if this port has the same problem

- a. If you switch to another port, please check the screen resolution is the same.
- b. Check the OSD menu is available on the hot keys "Scroll lock + Scroll lock + space bar".
If the problems persist, please make sure the cables are inserted properly and the boot up sequence is followed.

3. The screen is on but the keyboard and mouse don't work

- i. Check the server by using a different keyboard and mouse.
- ii. For PS/2 servers
The keyboard and mouse are not hot pluggable.
- iii. For USB servers
Unplug and plug allowing a few seconds for the bus emulation process to complete.
- iv. Do not press any keys on the keyboard whilst the server is booting up. This can cause a keyboard error or cause the keyboard not to detect the KVM switch.
- v. Try a different keyboard, but use only 101/102/104-key keyboard
- vi. Avoid moving the mouse whilst switching the KVM ports.

4. There is no LED display on the Cat5 dongle

The LED on the Cat5 dongle will flash when plugged into the USB or USB server. The light will then become steady when the KVM switch has connected. If the LED light is on and not flashing when plugged into server, please unplug the USB or PS/2 and try again. Or try another good Cat5 dongle to verify if problem still appears. If the problem persists, please contact your supplier.