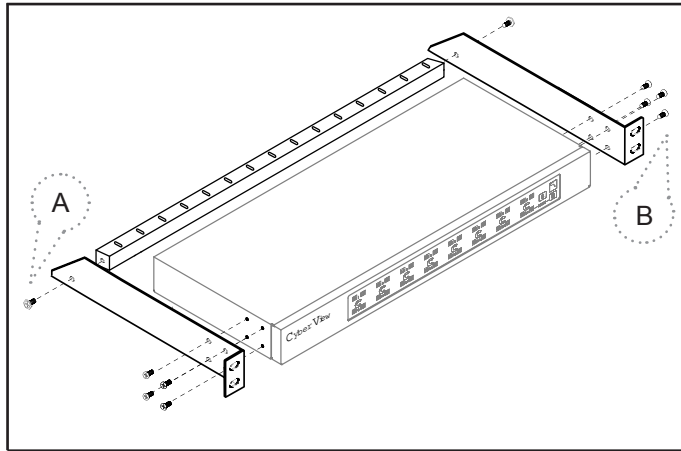


# CV-S801 / CV-S1601 USB DB-15 KVM

## Installation



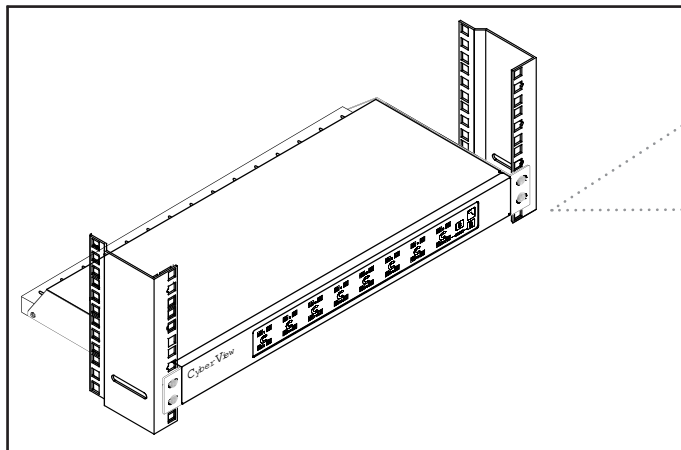
screw A: M3.2 x 4.5 mm



screw B: M4 x 10 mm

- Install each bracket using screws provided shown in **Figure 1**.

**Figure 1.** Installing the bracket to the KVM.



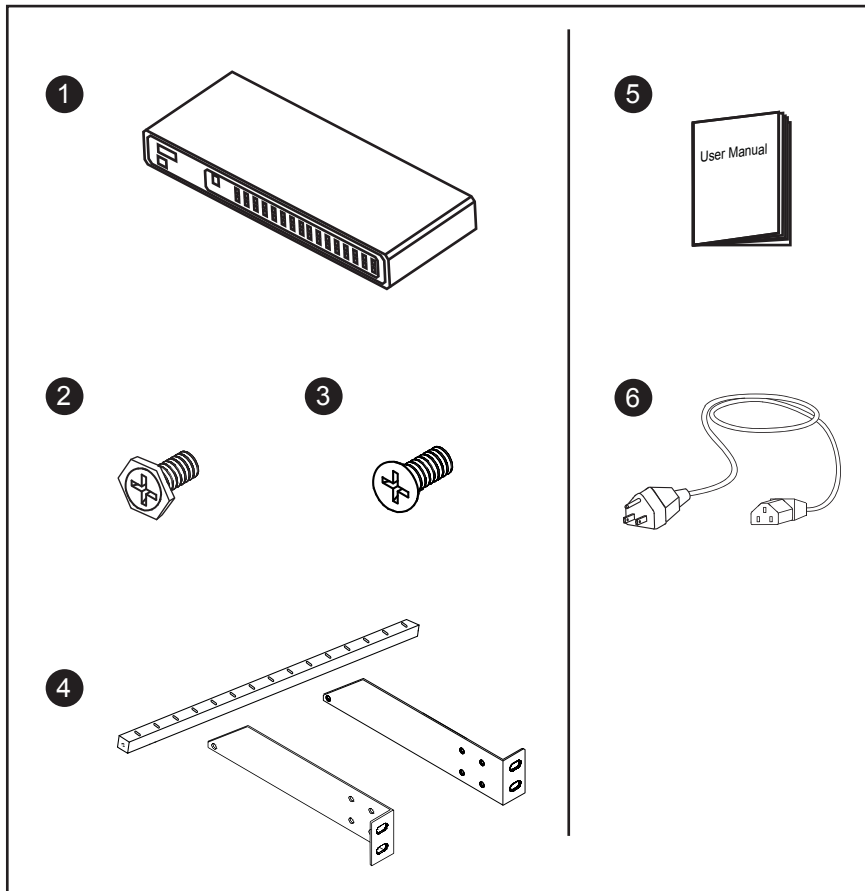
- Fix the KVM into the rack

\* Hardware for fixing the mounting bracket to the rack is not provided

**Figure 2.** Fixing the KVM into the rack.

# CV-S801 / CV-S1601 USB DB-15 KVM

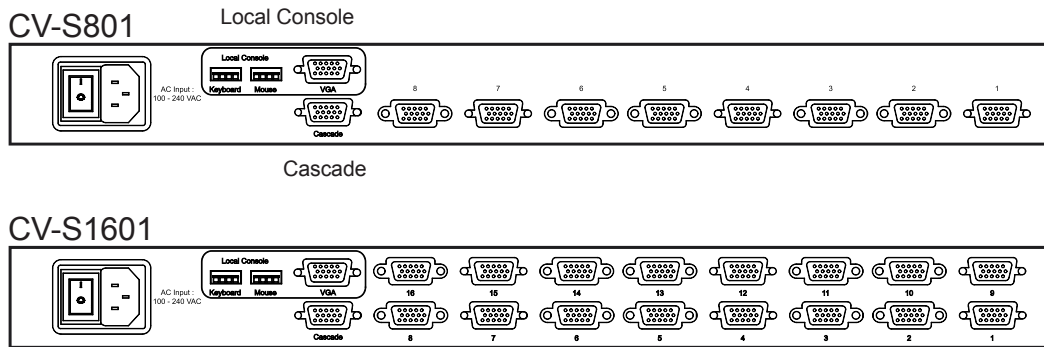
## Package Content



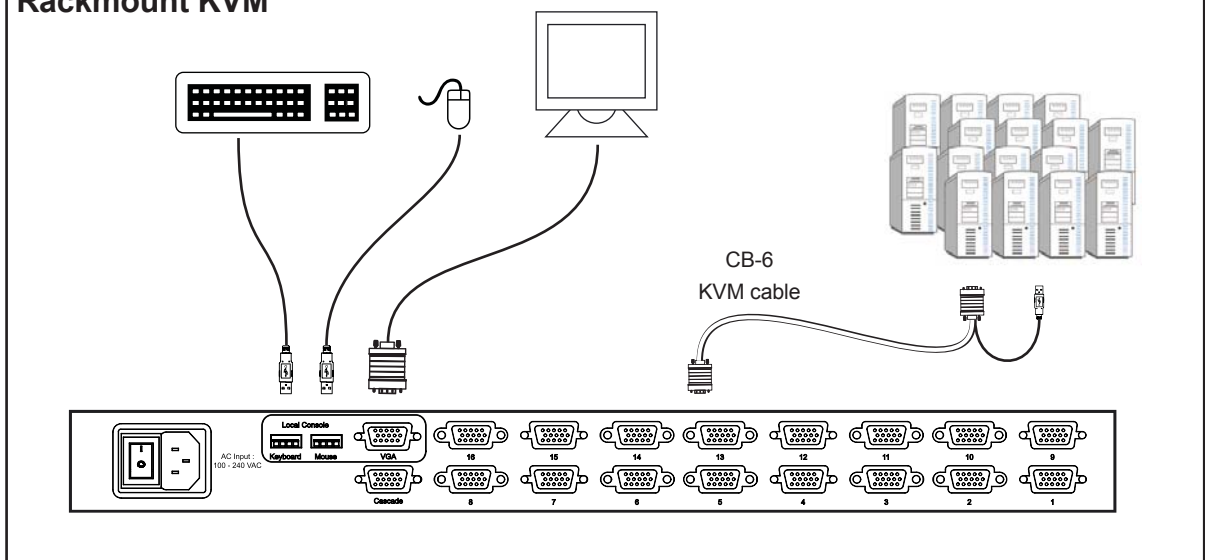
- ① KVM switch x 1 pc
- ② Screw M3.2 x 4.5mm x 4 pcs
- ③ Screw M4 x 10mm x 8 pcs
- ④ Bracket x 1 set
- ⑤ User manual x 1 pc
- ⑥ Power cord x 1 pc

# CV-S801 / CV-S1601 USB DB-15 KVM

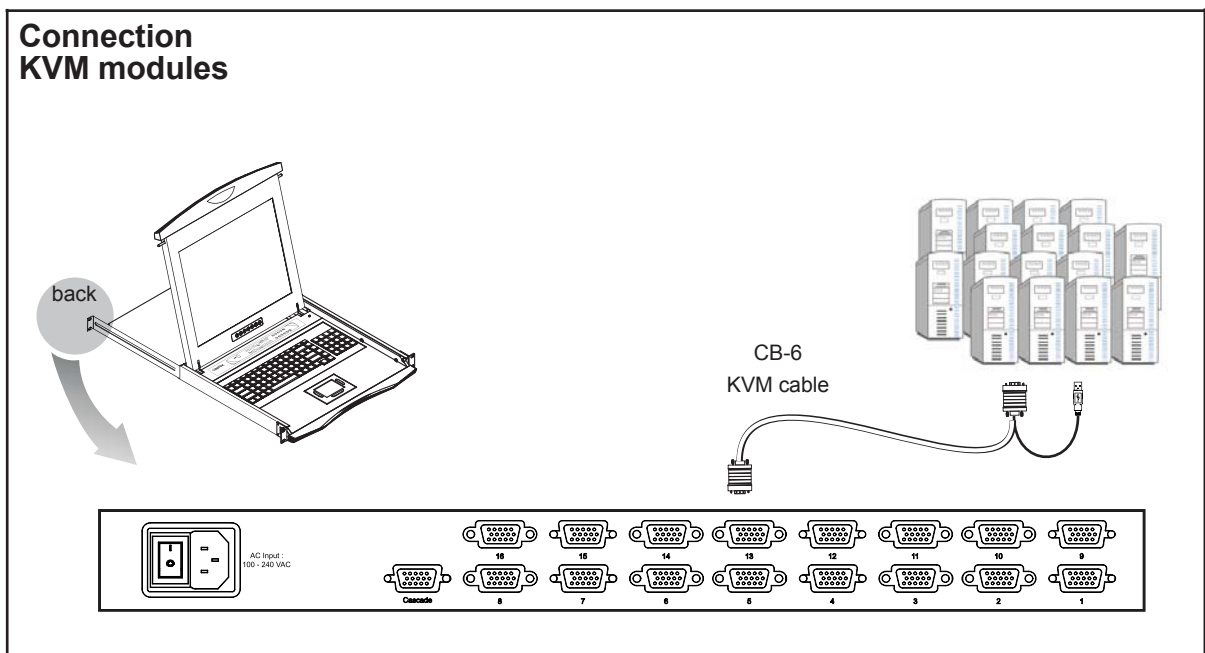
## Connection



## Connection Rackmount KVM



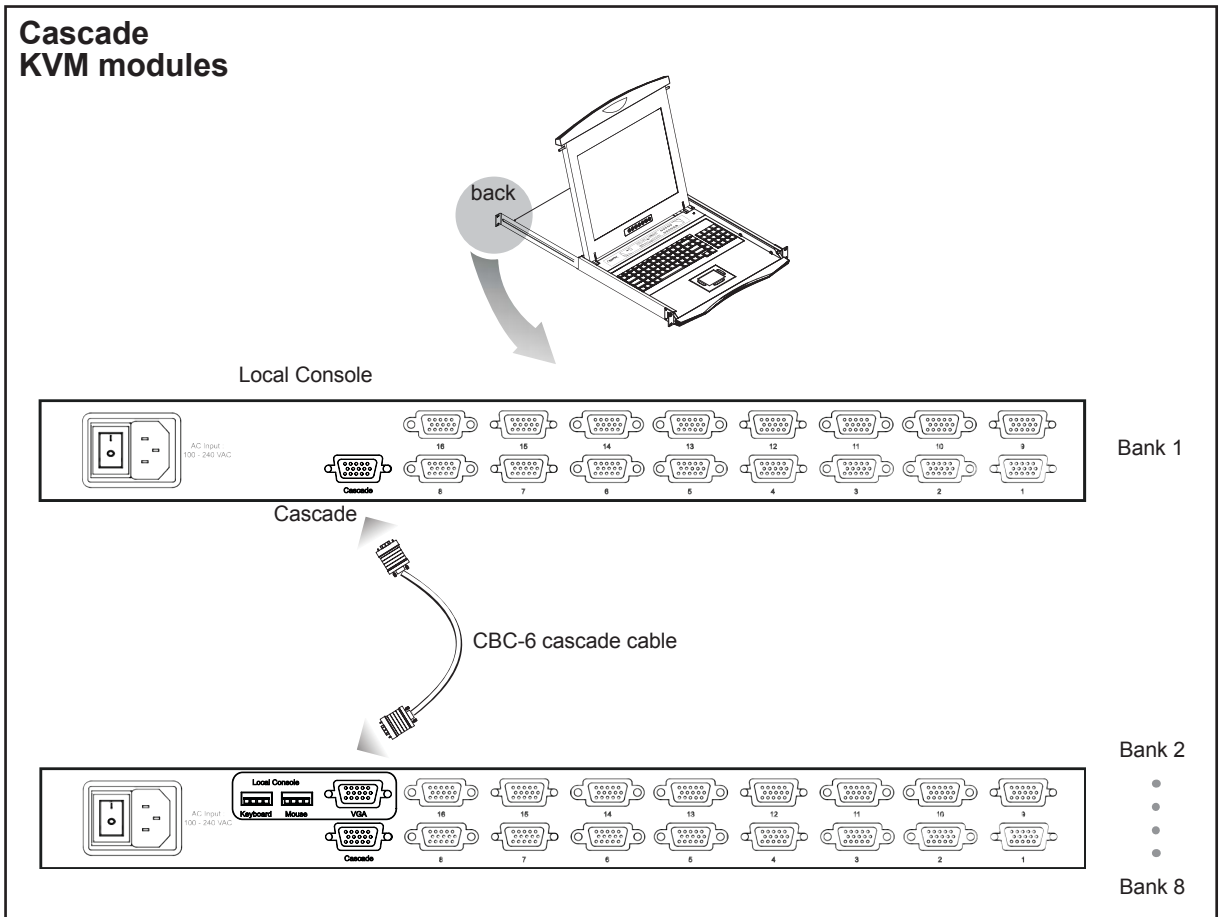
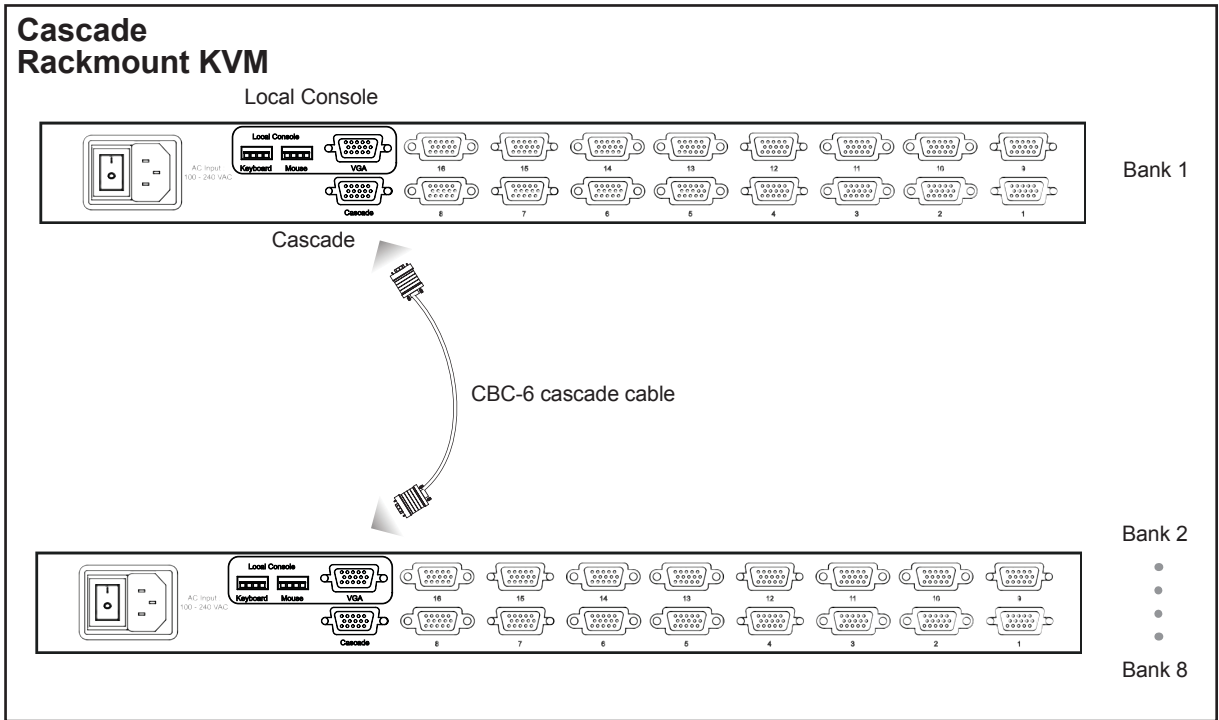
## Connection KVM modules



# CV-S801 / CV-S1601 USB DB-15 KVM

## Cascade

- With the CV-S801 cascade up to 120 servers. With the CV-S1601 cascade up to 128 servers.
- Cascading multiple KVM by CBC-6 cable



# KVM Membranes

## Power ON

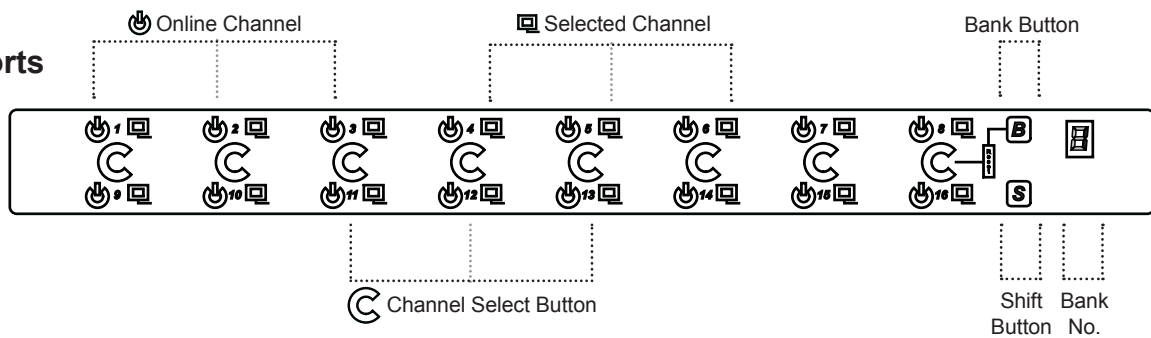
- Turn off all servers and KVM switches
- Make sure all cables / connectors are properly connected
- Recommend Power ON sequence is monitor, KVM switch finally computer

## Front Panel - Port LED Indications

### 8 ports



### 16 ports



Online Channel	<b>Green</b> LED on indicating a PC is connecting to the port
Selected Channel	<b>RED</b> LED on indicating a selected channel
Bank Button	Select the bank from 1 to 8
Channel Select Button	Press to select channel from 1 to 8
Shift Button	Press & hold follow with a channel button to select channel from 9 to 16
Bank No.	7-Segment BANK LED indication

# Password

## Password for CV-S801 / CV-S1601

The password is disabled by default (i.e. There is no password required when you power on the KVM switch for the first time)

### ■ Enable password

1. Call KVM OSD menu by pressing the KVM hotkey **Scroll Lock + Scroll Lock + Space Bar**
2. Select "06 PASSWORD"
3. Select ENABLE
4. Reset the KVM by pressing **B** Bank button & **C** channel select button on the KVM membrane at the same time
5. Enter "00000000" eight zeros in password field  
**(Do not use "0" on number pad)**

### ■ Set your own user name & password

1. Call KVM OSD menu by pressing the KVM hotkey **Scroll Lock + Scroll Lock + Space Bar**
2. Select "04 SECURITY"
3. Enter "00000000" eight zeros in password field  
**(Do not use "0" on number pad)**
4. Set your own password in "ENTER NEW PASSWORD" field
5. Retype your own new password in "RETYPE NEW PASSWORD" field

Remark: a. The OSD menu will return back to MAIN CONTROLS if the retyped password matched with the new password  
b. Blank has underscore. SPACE does not have underscore.  
c. Press any alphanumeric key to move to next input item.

### ■ Change your password

1. Call KVM OSD menu by pressing the KVM hotkey **Scroll Lock + Scroll Lock + Space Bar**
2. Select "04 SECURITY"
3. Enter your own password
4. Change your password in "ENTER NEW PASSWORD" field
5. Retype your new password in "RETYPE NEW PASSWORD" field

Remark: a. The OSD menu will return back to MAIN CONTROLS if the retyped password matched with the new password  
b. Blank has underscore. SPACE does not have underscore.  
c. Press any alphanumeric key to move to next input item.

### ■ Disable your password

1. Call KVM OSD menu by pressing the KVM hotkey **Scroll Lock + Scroll Lock + Space Bar**
2. Select "06 PASSWORD"
3. Select DISABLE
4. Reset the KVM by pressing **B** Bank button & **C** channel select button on the KVM membrane at the same time
5. You don't need password to access the KVM OSD menu

### ■ Forget your password

Please contact your supplier for further support

Remark:

- You must press the KVM hotkey within 2 seconds
- A beep sound will be heard for successful entering KVM hotkey

# KVM OSD

## OSD Menu for CV-S801 / CV-S1601

MAIN CONTROLS	?X
ENTER A CHOICE:	
01 LANGUAGE	
02 PORTNAME	
03 TIMEVIEW	
04 SECURITY	
05 FINDPORT	
06 PASSWORD	
07 CONSOLE	

01 LANGUAGE	OSD language change
02 PORT NAME	Define port name
03 TIME VIEW	Change OSD TIME / SCAN TIME
04 SECURITY	Change password
05 FIND PORT	Find the system by its name
06 PASSWORD	Enable / Disable the password
07 CONSOLE	Enable - quit the OSD menu without password Disable - password is requested while quitting the OSD menu

# KVM Hotkey

## Hotkey for CV-S801 / CV-S1601

Hotkey	Function
<b>Scroll Lock + Scroll Lock + Space Bar</b>	Calling OSD menu
<b>Scroll Lock + Scroll Lock + ↑</b>	Switch to previous port
<b>Scroll Lock + Scroll Lock + ↓</b>	Switch to next port
<b>Scroll Lock + Scroll Lock + PgUp</b>	Switch to previous bank
<b>Scroll Lock + Scroll Lock + Bank no. + Port no.</b>	Switch to specific port
<b>Scroll Lock + Scroll Lock + PgDn</b>	Switch to next bank
<b>Scroll Lock + Scroll Lock + S</b>	Auto scan for powered on PC
<b>Scroll Lock + Scroll Lock + R</b>	Reset to factory default setting
<b>Scroll Lock + Scroll Lock + B</b>	Enable / Disable beeper sound
<b>Scroll Lock + Scroll Lock + F</b>	Find port by name

### Remarks:

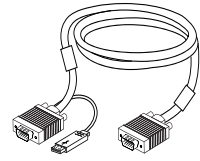
Example of “**Scroll Lock + Scroll Lock + Bank no. + Port no.**”

- Bank No. : 1 to 8
- Port No. : 01 to 16
- e.g. Bank 1 Port 4 : **Scroll Lock + Scroll Lock + 1 + 0 + 4**
- e.g. Bank 2 Port 16 : **Scroll Lock + Scroll Lock + 2 + 1 + 6**

# Optional Accessories

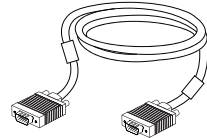
## 1. USB 2-in-1 KVM cable

- 1.1 CB-6 6 feet
- 1.2 CB-10 10 feet
- 1.3 CB-15 15 feet



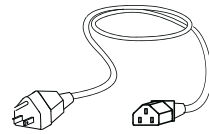
## 2. USB KVM cascade cable

- 2.1 CBC-6 6 feet

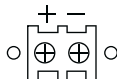


## 3. Power cord

- 3.1 IEC power cord
- 3.2 NEMA 5-15 power cord (US)
- 3.3 BS 1363 power cord (UK)
- 3.4 CEE 7/4 power cord (German)
- 3.5 AS 3112 power cord (Australia)



## DC Power 12V, 24V, 48V Input




Model	12V	24V	48V
<b>Input rating</b>			
Input voltage:	12-Volt	24-Volt	48-Volt
Input range:	9 ~ 18V	18 ~ 36V	36 ~ 75V
Input current			
- No load	50 mA	50 mA	50 mA
- Full load	4950 mA	2450 mA	1220 mA
<b>Output rating</b>			
Output voltage:	12-Volt	12-Volt	12-Volt
Output current:	4.16A	4.16A	4.16A
<b>Efficiency</b>	84%	85%	85%

### Remarks:

- Package does not include power cord

# Specification

<b>CV-S801 / CV-S1601</b> 	
<b>■ KVM Port</b>	<p>Number of ports: 8 or 16</p> <p>Connector: HDDB 15-pin</p> <p>Connectivity: CB-6 / 10 / 15 6' / 10' / 15' 2-in-1 USB KVM cable</p>
<b>■ Local Console</b>	<p>Graphic connector: HDDB15-pin VGA</p> <p>Resolution: Up to 1920 x 1440</p> <p>Bandwidth: 200MHz</p> <p>Input device: 2 x USB type A for keyboard &amp; mouse</p>
<b>■ On Screen Display</b>	<p>Port name: Up to 10 characters long</p> <p>Port select: Front membrane button, Hotkey &amp; On screen menu</p> <p>Security: Support eight character password</p> <p>Auto scan: 5~99 seconds</p>
<b>■ Expansion:</b>	Up to 128 servers by 8-level cascade
<b>■ Compatibility</b>	<p>Multi-platform: Mix PCs, SUNs, IBMs, HPs, DELLs Server</p> <p>Support: Windows Vista / 2003 / XP / 2000, Linux, Netware, Unix, DOS</p>
<b>■ Power</b>	<p>Input: 100 or 240V AC at 50 or 60 Hz via AC adapter</p> <p>Option DC: 12V / 24V / 48V DC input</p>
<b>■ Regulatory Approval:</b>	FCC, CE
<b>■ Environmental</b>	<p>Operating: 0 to 50°C</p> <p>Storage: -5 to 60°C</p> <p>Relative humidity: 90%, non-condensing</p> <p>Shock: 50G peak acceleration (11ms, half-sine wave)</p> <p>Vibration: 58~100Hz / 0.98G (11ms / cycle)</p>
<b>■ Product Information</b>	<p>Dimension (W x D x H): 443 x 180 x 44 mm / 17.3 x 7.1 x 1.73 inch</p> <p>Net weight: CV-S801 / CV-S1601 : 4 kg / 9 lb</p>
<b>■ Packing Information</b>	<p>Dimension (W x D x H): 510 x 400 x 77 mm / 20.1 x 15.7 x 3 inch</p> <p>Gross weight: CV-S801 / CV-S1601 : 4.5 kg / 10 lb</p>

# FAQ

## General

- 1. How do the KVM switches allow the user to switch ports?**  
There are two ways to switch ports. One is the membrane buttons on the front and the other way is with Hot-key commands.
- 2. What operating systems do the KVMs support?**  
The KVMs support multi-platform support allows you to control Windows-based computers, Sun Solaris systems, Linux, or even Macs by a single KVM switch. The KVM switches support multi-platform operating systems including but not limited to DOS, Windows 95/98/ME/NT/2000/XP, Linux, Solaris and Mac OS.
- 3. Do I have to power down the KVMs to add a new server ?**  
The KVMs are hot-pluggable and allows servers or devices to be added or removed without powering down the switch, but components of connected devices, such as the servers, may not be hot-pluggable. We suggest that turn off power to all devices before connecting them.
- 4. Why I can't login with default password on KVM switch**  
The default username and password for the KVM switch is eight zeros - "00000000". Please check

  - i. The "Num lock" is not turned on. (for notebook type keyboard)
  - ii. The numeric (number) keys on the number pad are not accepted by KVM, only the main number keys.
- 5. Can I disable the KVM password ?**  
Yes, for Cat5 KVM, USB KVM, two console PS/2 KVM & IP PS/2 KVM, user can disable/ enable the KVM password by hotkey.  
No, for PS/2 KVM, user can't disable the KVM password.
- 6. What do I do if I forget the password?**  
If the user change the default password and lose the password, pls contact the supplier for further support.
- 7. How many levels of KVM cascade are supported?**  
8 levels are supported.
- 8. Can I cascade the different types KVM switches together ?**  
No, only same type KVM can cascade together. (e.g. PS/2 to PS/2, USB to USB,..)
- 9. Why am I getting ghosting images or shadowing?**

  - i. Check that all video cables are inserted properly.
  - ii. Check whether the KVM supports the resolution and refresh-rate on your servers.
  - iii. Check whether the graphics card you are using supports the resolution and refreshrate on your server or not.
  - iv. Connect the monitor directly into the servers you are having trouble with to see if problem still appears.

## FAQ

### 10. **The server VGA resolution does not match the resolution of monitor ?**

The KVM supports DDC function which will dynamically detect and the DDC data.

The problem may come from the power on sequence.

- For KVM switch  
The recommended power on sequence is - monitor, KVM switch and then servers.
- For remote console box  
It supports DDC function but does not support hot-plug, the recommend power on sequence is – monitor, remote console box and then servers.

## USB KVM

### **Can the USB KVM support the keyboard or monitor with a USB hub built-in ?**

The USB KVM switch is only capable of passing Keyboard, Mouse and Video signals. As a result, other USB devices with a USB hub will not work.

### **Can I use the touch screen with KVM switches ?**

No, the KVM switches do not support the touch screen driver

# Troubleshooting

## 1. There is no LED display on KVM membrane switch

- i. Make sure the power adapter plugged into the KVM Switch, if the LED's still off, perform soft reset to KVM switch.
- ii. Power cycle KVM switch.

## 2. I can power on the KVM, but I am not getting any picture at all, how can I solve this?

Switching to another port and checking if this port has the same problem

- a. If you switch to another port, please check the screen resolution is the same.
- b. Check the OSD menu is available on the hot keys "Scroll lock + Scroll lock + space bar". If the problems persist, please make sure the cables are inserted properly and the boot up sequence is followed.

## 3. The screen is on but the keyboard and mouse don't work

- i. Check the server by using a different keyboard and mouse.
- ii. For PS/2 servers  
The keyboard and mouse are not hot pluggable.
- iii. For USB servers  
Unplug and plug allowing a few seconds for the bus emulation process to complete.
- iv. Do not press any keys on the keyboard whilst the server is booting up. This can cause a keyboard error or cause the keyboard not to detect the KVM switch.
- v. Try a different keyboard, but use only 101/102/104-key keyboard
- vi. Avoid moving the mouse whilst switching the KVM ports.

## 4. There is no LED display on the Cat5 dongle

The LED on the Cat5 dongle will flash when plugged into the USB or USB server. The light will then become steady when the KVM switch has connected. If the LED light is on and not flashing when plugged into server, please unplug the USB or PS/2 and try again. Or try another good Cat5 dongle to verify if problem still appears. If the problem persists, please contact your supplier.