

User Manual

Rackmount Keyboard Drawer



Models RK-1 Series

- With KVM options

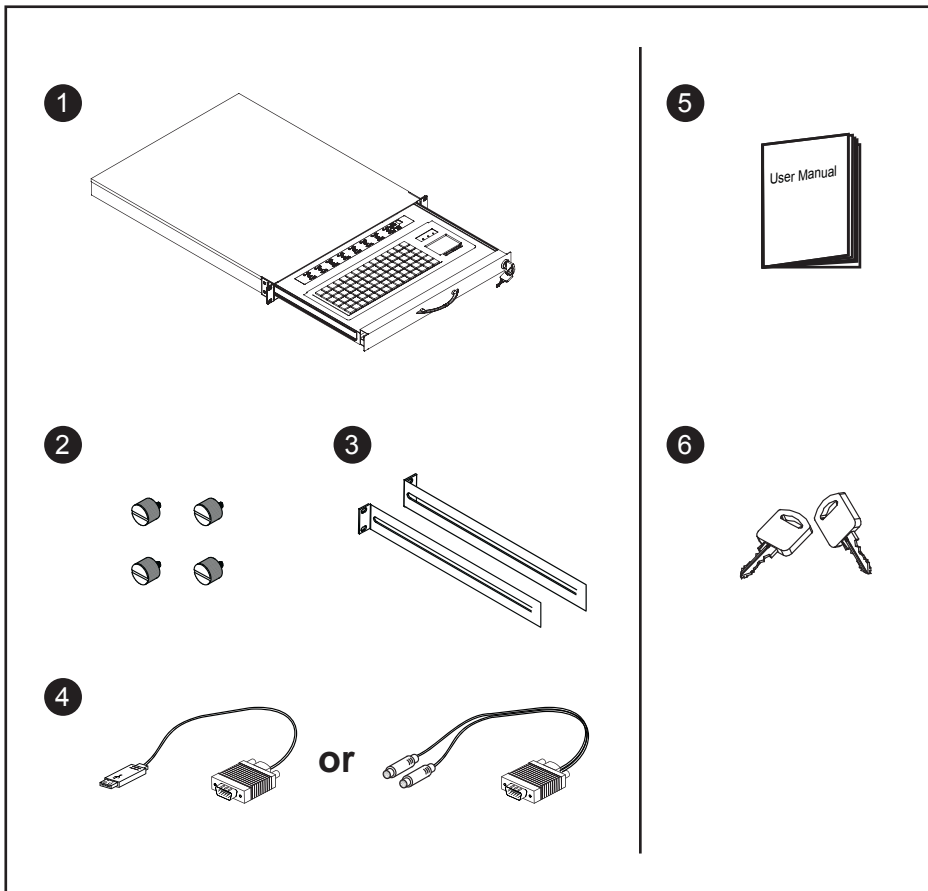


Models RK-2 Series

- Short depth version
- Without KVM options

Contents

Chapter 1	Getting Started	
1.1	Package Contents.....	1
1.2	Before Installation.....	2
1.3	Unpacking.....	2
1.4	Optional Accessories.....	2
1.5	Peripheral Products.....	3
1.6	Structure Diagram.....	3
1.7	Installation.....	4
1.8	Connect to Server via USB Interface.....	5
1.9	Connect to KVM via USB Interface.....	5
1.10	Connect to Server via PS/2 Interface.....	6
1.11	Connect to KVM via PS/2 Interface.....	6
Chapter 2	Keyboard and Mouse	7
Chapter 3	Optional Specification	
3.1	KVM Options for RK-1 Series.....	8
Chapter 4	Dimensions	8



- ① Keyboard drawer x 1 pc
- ② Fasteners for rear L-bracket x 4 pcs
- ③ 330mm rear mounting L-bracket x 1 pair
 - * RK-1 series mounting depth-adjustable from 210 to 800mm
 - * RK-2 series maximum mounting depth is 645mm
- ④ USB keyboard cable x 1 pc **OR** 2-in-1 PS/2 keyboard cable x 1 pc
- ⑤ User manual x 1 pc
- ⑥ Key x 2 pcs

1.2 Before Installation

- It is very important to locate the Rackmount Keyboard Drawer in a suitable environment.
- The surface for placing and fixing the Rackmount Keyboard Drawer should be stable and level or mounted into a suitable cabinet.
- Make sure the place has good ventilation, is out of direct sunlight, away from sources of excessive dust, dirt, heat, water, moisture and vibration.
- Convenience for connecting the Rackmount Keyboard Drawer to the related facilities should be well considers too.

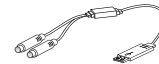
1.3 Unpacking

The Rackmount Keyboard Drawer comes with the standard parts shown on the package contents. Check and make sure they are included and in good condition. If anything is missing, or damage, contact the supplier immediately.

1.4 Optional Accessories

1. SUN / iMAC USB to PS/2 adapter

1.1 SUN-31 kit



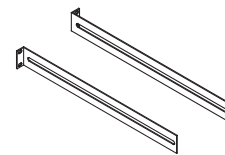
2. Extended rear mounting L-bracket

2.1 430mm (16.9") extended rear L-bracket for :

RK-1 series up to 900mm

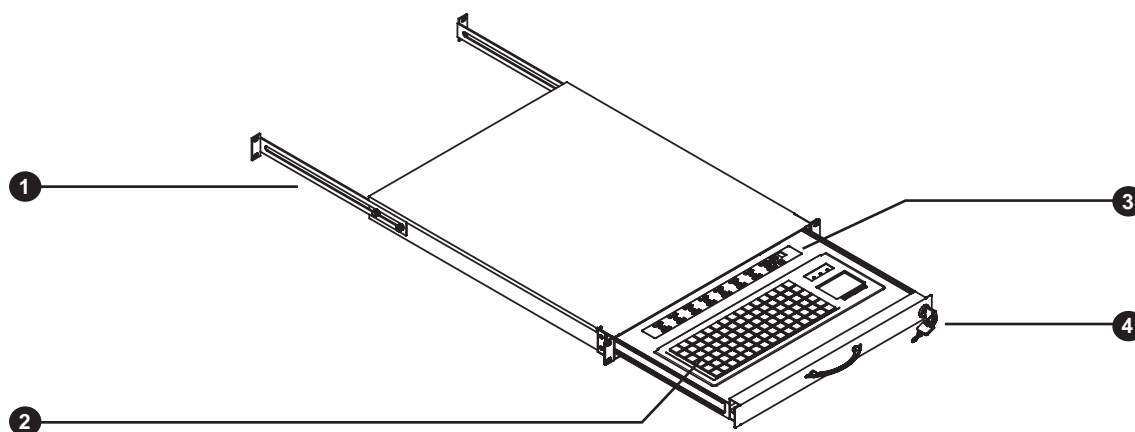
RK-2 series up to 745mm

*Extended rear L-bracket in tailor-made length on request



Item	Model No.	Description
DB-15 KVM	IP-802 / IP-1602	8 / 16-port IP PS/2 KVM
	CV-802 / CV-1602	8 / 16-port two console PS/2 KVM
	CV-401 / CV-801 / CV-1601	4 / 8 / 16-port PS/2 KVM
	CV-S801 / CV-S1601	8 / 16-port USB KVM
Cat5 KVM	UIP-1602 / UIP-3202	16/ 32-port IP Cat5 KVM
	U-1602 / U-3202	16 / 32-port two console Cat5 KVM
	U-1601 / U-3201	16 / 32-port high density Cat5 KVM
Rackmount LCD Drawer	RP115 / 117 / 119	1U 15" / 17" / 19" LCD drawer
	RP220	2U 20" LCD drawer
Rackmount LCD Display	RP615 / 717 / 819	6U 15" / 7U 17" / 8U 19" LCD display
	RP920	9U 20" LCD display

1.6 Structure Diagram



- ① Adjustable rear mounting L-bracket
- ② Keyboard & mouse
- ③ Membrane switch (for RK-1 with KVM option)
- ④ Lock with keys

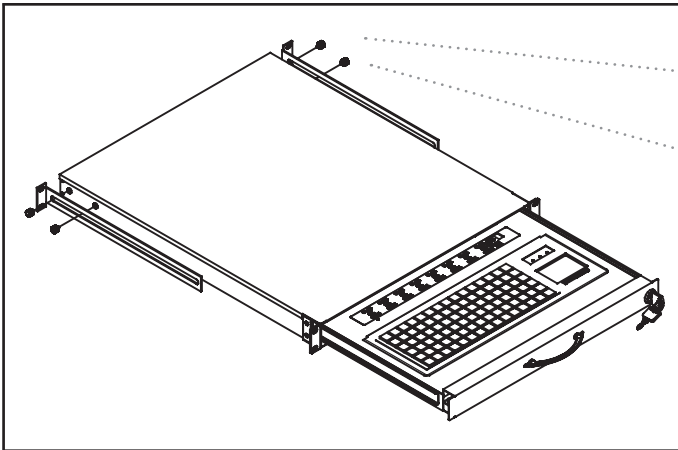


Figure 1. Installing the rear L-bracket to the LCD keyboard drawer.

- Install each rear L-bracket using two fasteners shown in **Figure 1**.
- Leaving the fasteners slightly loose

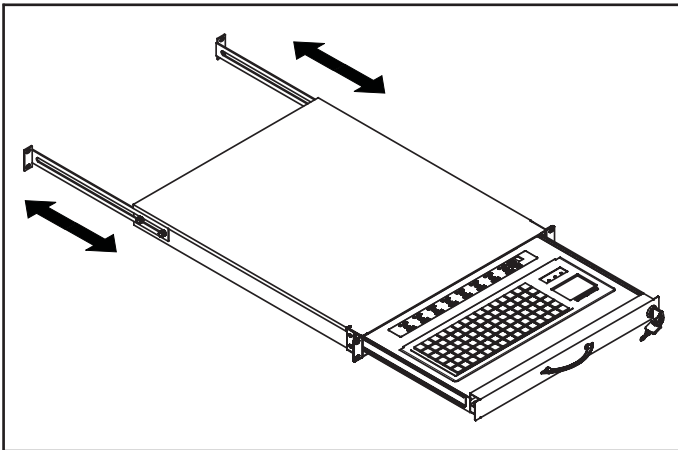


Figure 2. Aligning the rear L-brackets to a suitable length for the rack.

- Measure the front and rear mounting depth of the rack.
- Align each rear L-bracket to a suitable length and tighten the fasteners shown in **Figure 2**.

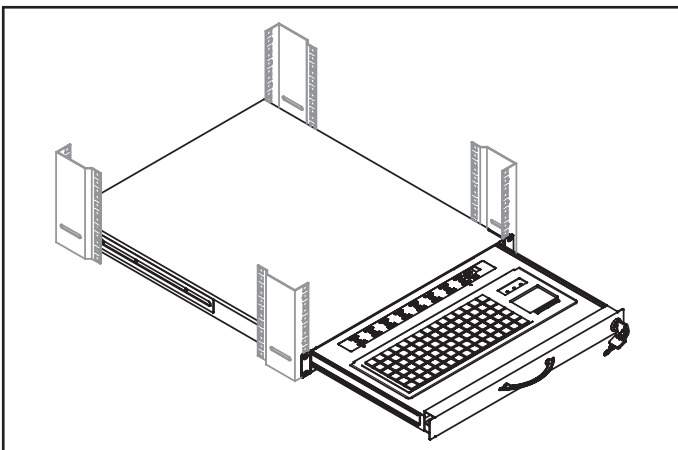


Figure 3. Fixing the LCD keyboard drawer into the rack.

- Fixed the LCD keyboard drawer into the rack.
- * Hardware (screws and cage nuts) for fixing the mounting bracket to the rack is not provided.

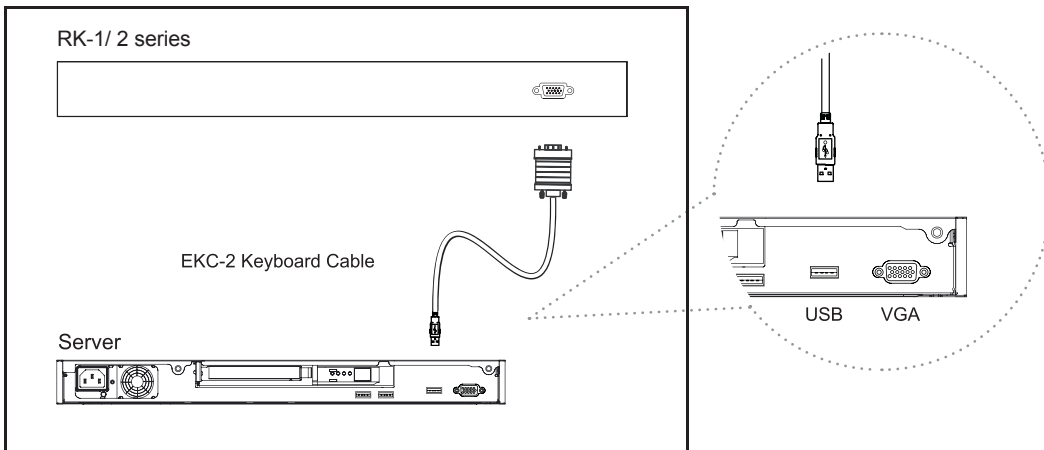


Figure 4. Example of connecting EKC-2 USB keyboard cable to server via USB interface

1.9 Connect to KVM via USB Interface

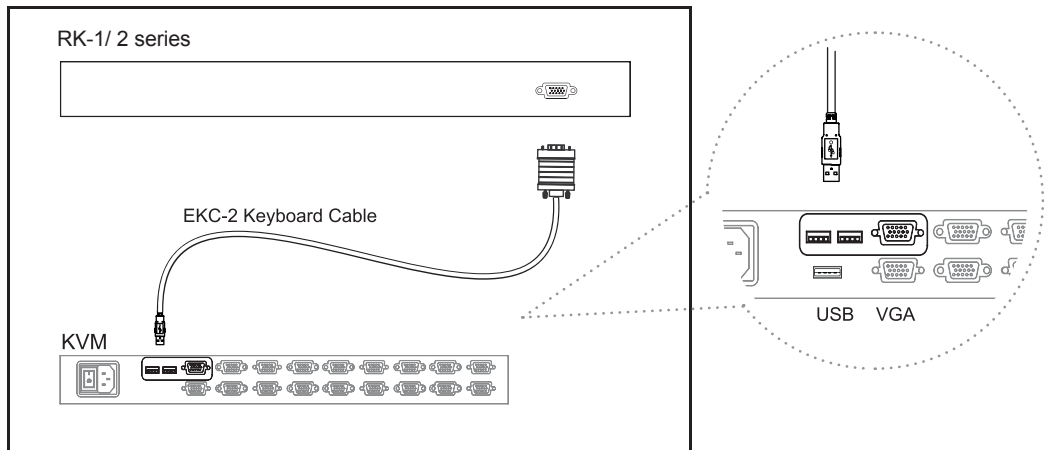


Figure 5. Example of connecting EKC-2 USB keyboard cable to KVM via USB interface

Remarks :

- The above connection is only for the keyboard without KVM switch built-in.
- For the keyboard drawer with KVM switch built-in, please refer to www.austin-hughes.com.

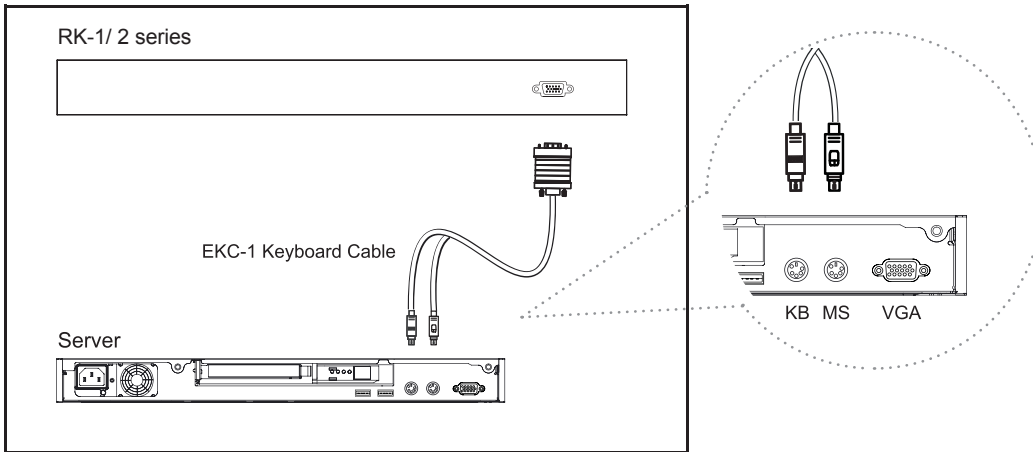


Figure 6. Example of connecting EKC-1 2-in-1 PS/2 keyboard cable to server via PS/2 interface

1.11 Connect to KVM via PS/2 Interface

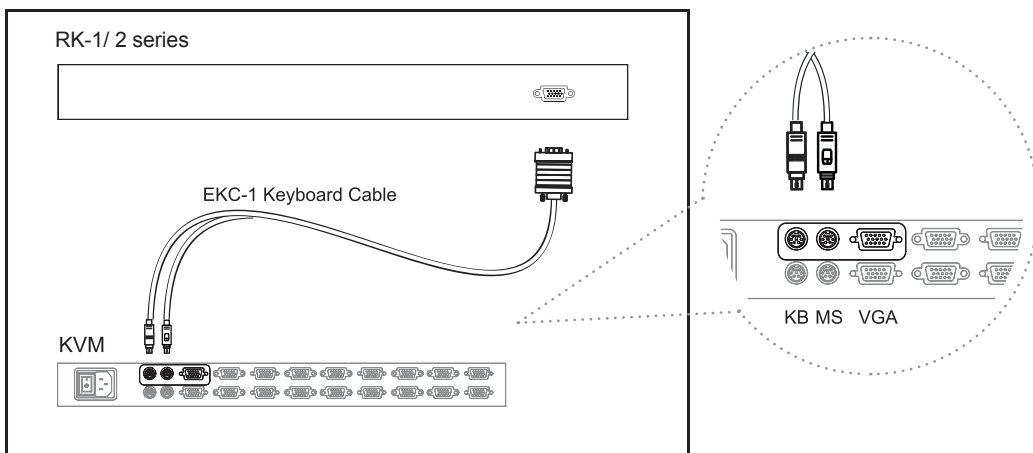


Figure 7. Example of connecting EKC-1 2-in-1 PS/2 keyboard cable to KVM via PS/2 interface

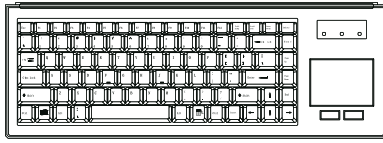
Remarks :

- The above connection is only for the keyboard without KVM switch built-in.
- For the keyboard drawer with KVM switch built-in, please refer to www.austin-hughes.com.

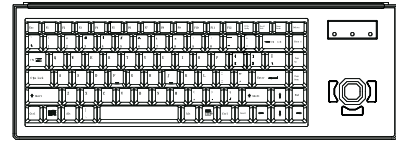


Caution : The keyboard drawer is hot-pluggable, but components of connected devices, such as the servers and KVM switch, may not be hot-pluggable. Plugging and unplugging cables while servers and KVM are powered on may cause irreversible damage to the servers, KVM and keyboard drawer. Before attempting to connect anything to the LCD keyboard drawer, we suggest turning off the power to all devices before connecting them. Apply power to connected devices again only after the LCD keyboard is receiving power. The company is not responsible for damage caused in this way.

Supporting layouts

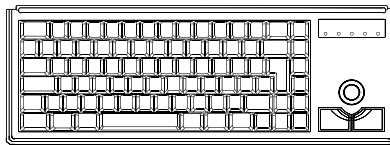


e Notebook type keyboard with touch-pad mouse




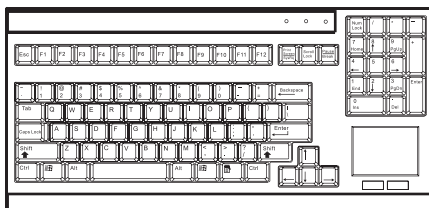
b Notebook type keyboard with trackball

Supporting layouts



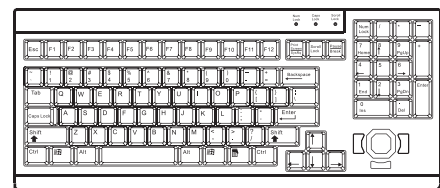
c Cherry keyboard with trackball

Supporting layouts  only



t Compact keyboard integrated with touch-pad mouse

Supporting layouts



d Compact keyboard integrated with trackball

3.1 KVM Options for RK-1 Series

Chapter 3

Our KVM is designed to seamlessly integrate into the rear of our full range of keyboard drawer solutions:

- For KVM operation, please refer to "KVM Switch" user manual
- Option with high density Cat5 KVM with either 16 or 32 ports
- Option with cost efficient DB-15 KVM integration with either 8 or 16 ports
- Please ask your supplier for full KVM details

4.1 Dimensions

Chapter 4

Model	Product Dimension (W x D x H)	Packing Dimension (W x D x H)	Net Weight	Gross Weight
RK-1 series (with KVM option)	442 x 550 x 44.2 mm 17.4 x 21.6 x 1.74"	581 x 705 x 175 mm 22.9 x 27.8 x 6.9"	8 kg 18 lb	12 kg 26 lb
RK-2 series	442 x 430 x 44 mm 17.4 x 14.6 x 1.73"	500 x 582 x 100 mm 19.7 x 22.9 x 3.9"	6 kg 13 lb	8 kg 18 lb

The company reserves the right to modify product specifications without prior notice and assumes no responsibility for any error which may appear in this publication.

All brand names, logo and registered trademarks are properties of their respective owners.

Copyright 2008 Austin Hughes Electronics Ltd. All rights reserved.

CV-RK18-0108V2